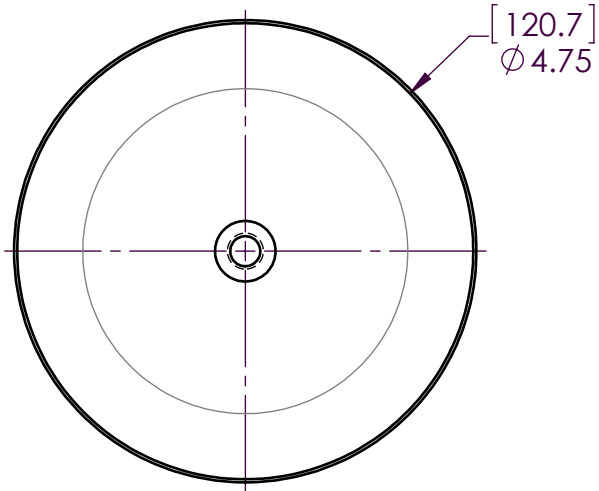
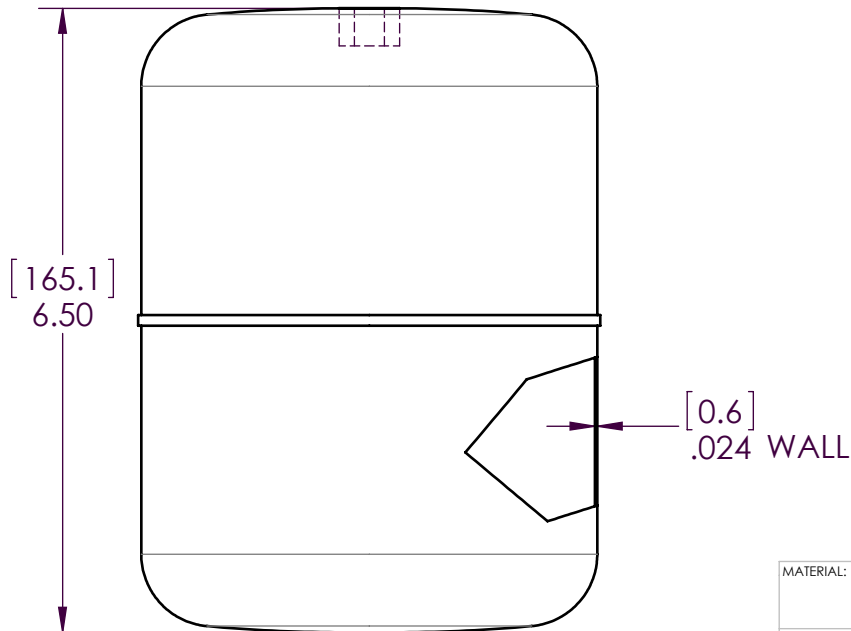
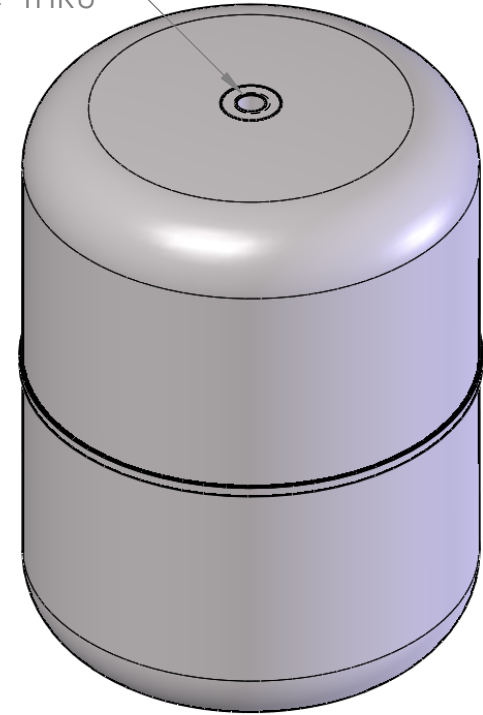


NOTES - ( UNLESS OTHERWISE SPECIFIED )

1. ALL DIMENSIONS IN INCHES [mm].
2. DIMENSIONING AND TOLERANCING PER ASME Y14.5M.



Ø .31 [7.9] THRU  
3/8-16 UNC THRU



Versa-Steel, Inc  
Portland, Oregon USA  
Ph 503-287-9822  
www.stainlessfloats.com

MATERIAL:	316L
FINISH:	NONE, CLEANED AND POLISHED
DO NOT SCALE DRAWING	

**PROPRIETARY AND CONFIDENTIAL**  
THE INFORMATION CONTAINED IN THIS DRAWING IS THE SOLE PROPERTY OF VERSA-STEEL, INC. ANY REPRODUCTION IN PART OR AS A WHOLE WITHOUT THE WRITTEN PERMISSION OF VERSA-STEEL, INC. IS PROHIBITED.

Description:		FLOAT 4.75 DIA X 6.50 HIGH	
VOLUME (CUBIC INCHES):	107.32	WORKING CAPACITY WATER (LBS.):	3.02
SIZE A	WEIGHT (LBS.): 0.86	PART#:	1001240
		REV. B	

3

2

1

3

2

1