

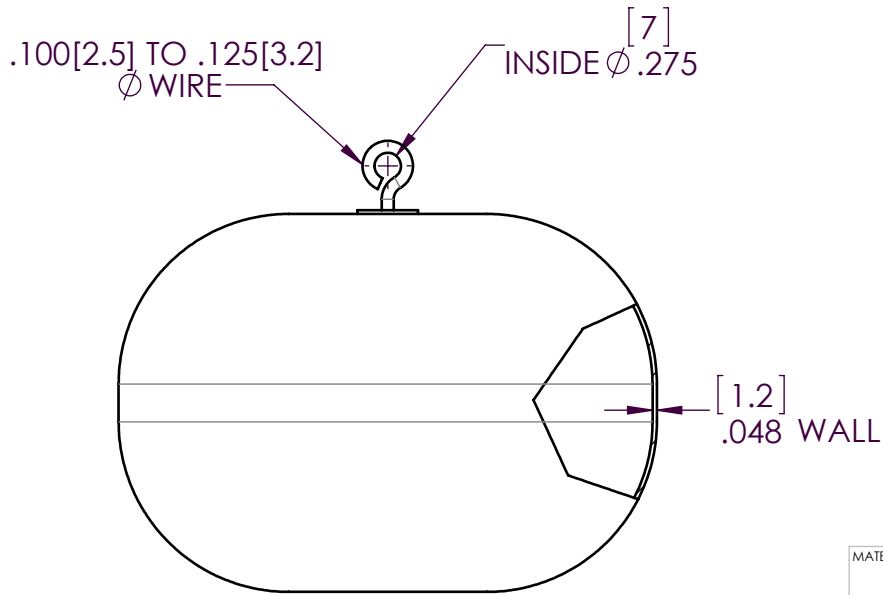
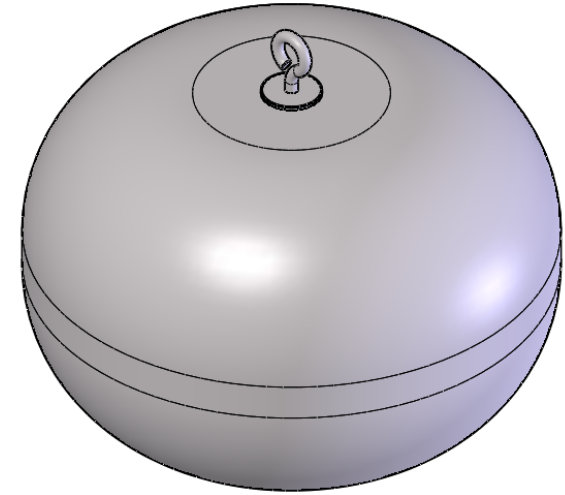
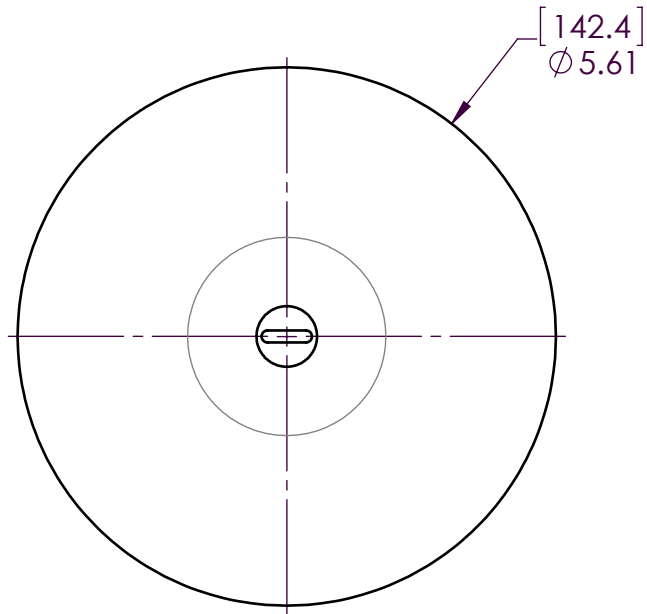
3

2

1

NOTES - ( UNLESS OTHERWISE SPECIFIED )

- 1. ALL DIMENSIONS IN INCHES [mm].
- 2. DIMENSIONING AND TOLERANCING PER ASME Y14.5M.



<b>Versa-Steel, Inc</b> Portland, Oregon USA Ph 503-287-9822 <a href="http://www.stainlessfloats.com">www.stainlessfloats.com</a>			
Description:		FLOAT, E020, 1500 GRAMS, WATER/OIL	
VOLUME (CUBIC INCHES):	76.82	WORKING CAPACITY WATER (LBS.):	1.61
SIZE A	WEIGHT (LBS.): 1.17	PART#:	1001208-02
		REV.:	A

MATERIAL:	316L
FINISH:	NONE, CLEANED AND POLISHED
DO NOT SCALE DRAWING	

**PROPRIETARY AND CONFIDENTIAL**

THE INFORMATION CONTAINED IN THIS DRAWING IS THE SOLE PROPERTY OF VERSA-STEEL, INC. ANY REPRODUCTION IN PART OR AS A WHOLE WITHOUT THE WRITTEN PERMISSION OF VERSA-STEEL, INC. IS PROHIBITED.

3

2

1