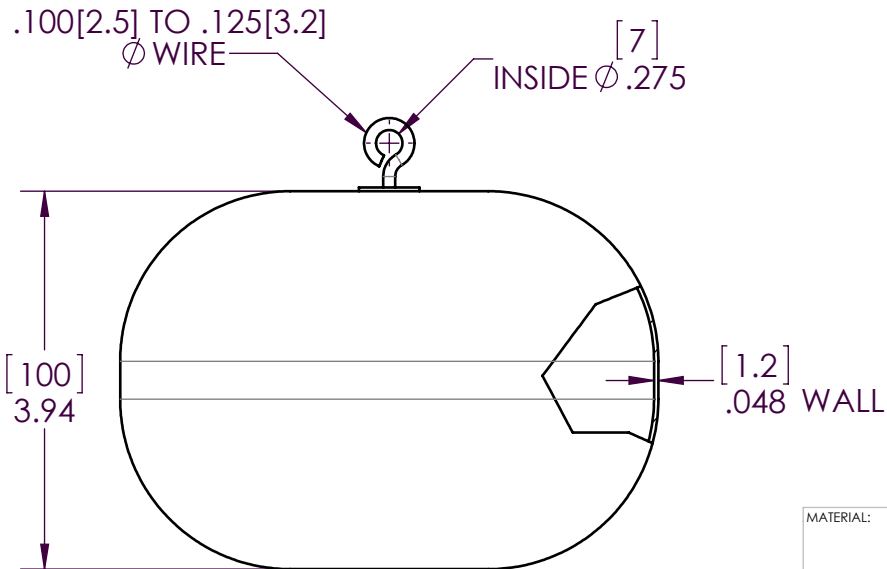
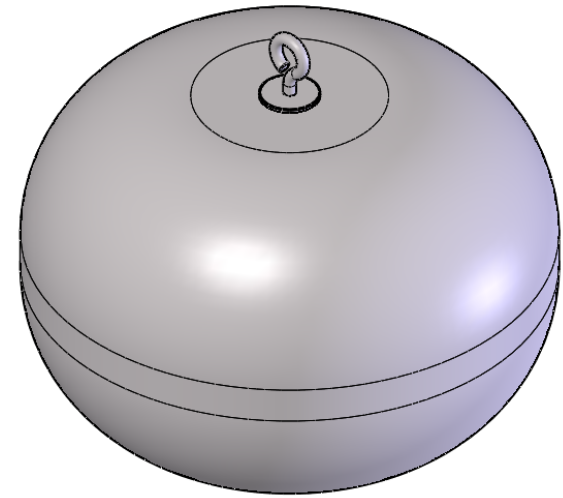
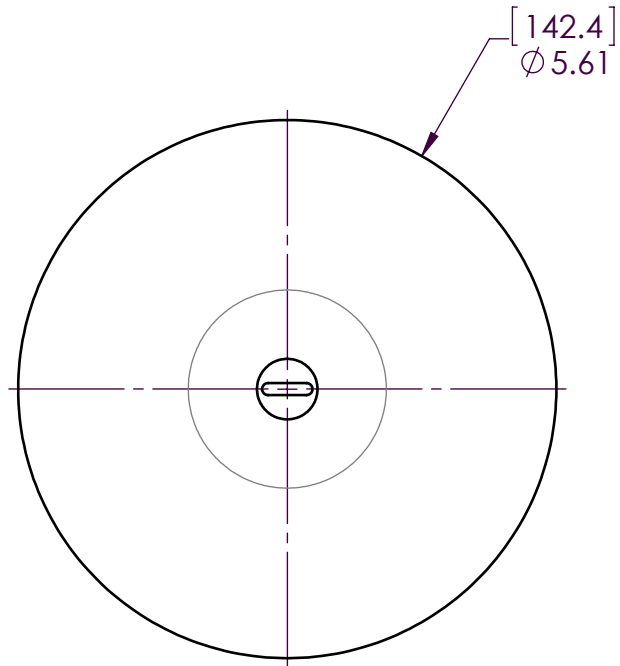


NOTES - (UNLESS OTHERWISE SPECIFIED)

1. ALL DIMENSIONS IN INCHES [mm].
2. DIMENSIONING AND TOLERANCING PER ASME Y14.5M.



Versa-Steel, Inc
 Portland, Oregon USA
 Ph 503-287-9822
 www.stainlessfloats.com

MATERIAL:	316L
FINISH:	NONE, CLEANED AND POLISHED
DO NOT SCALE DRAWING	

PROPRIETARY AND CONFIDENTIAL
 THE INFORMATION CONTAINED IN THIS DRAWING IS THE SOLE PROPERTY OF VERSA-STEEL, INC. ANY REPRODUCTION IN PART OR AS A WHOLE WITHOUT THE WRITTEN PERMISSION OF VERSA-STEEL, INC. IS PROHIBITED.

Description:		FLOAT, E020, 530 GRAMS	
VOLUME (CUBIC INCHES):	76.82	WORKING CAPACITY WATER (LBS.):	1.61
SIZE A	WEIGHT (LBS.): 1.17	PART#: 1001208-01	REV. A