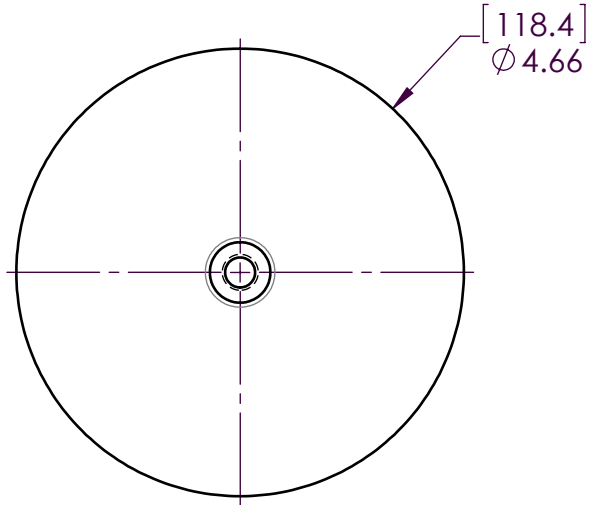
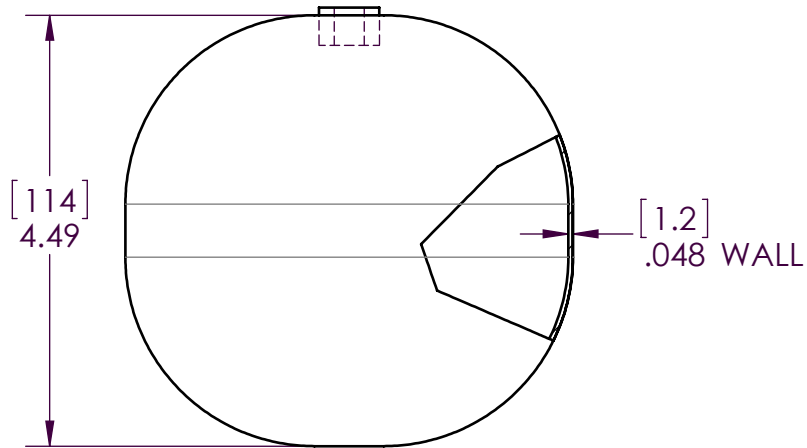
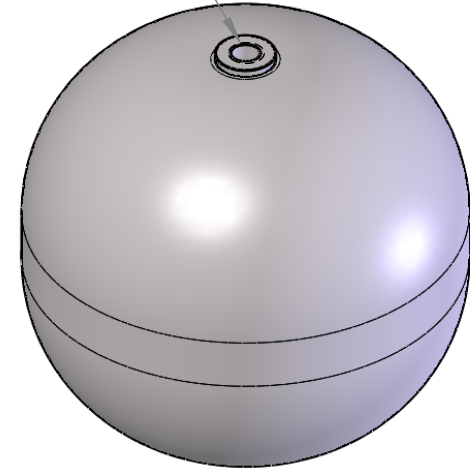


NOTES - ( UNLESS OTHERWISE SPECIFIED )

- 1. ALL DIMENSIONS IN INCHES [mm].
- 2. DIMENSIONING AND TOLERANCING PER ASME Y14.5M.



$\varnothing$  .31 [7.9] THRU  
3/8-16 UNC THRU



Versa-Steel, Inc  
Portland, Oregon USA  
Ph 503-287-9822  
www.stainlessfloats.com

MATERIAL:	316L
FINISH:	NONE, CLEANED AND POLISHED
DO NOT SCALE DRAWING	

**PROPRIETARY AND CONFIDENTIAL**  
THE INFORMATION CONTAINED IN THIS DRAWING IS THE SOLE PROPERTY OF VERSA-STEEL, INC. ANY REPRODUCTION IN PART OR AS A WHOLE WITHOUT THE WRITTEN PERMISSION OF VERSA-STEEL, INC. IS PROHIBITED.

Description:		FLOAT, 4.66 X 4.49, 3/8-16	
VOLUME (CUBIC INCHES):	56.85	WORKING CAPACITY WATER (LBS.):	1.07
SIZE A	WEIGHT (LBS.): 0.98	PART#: 1000859	REV.