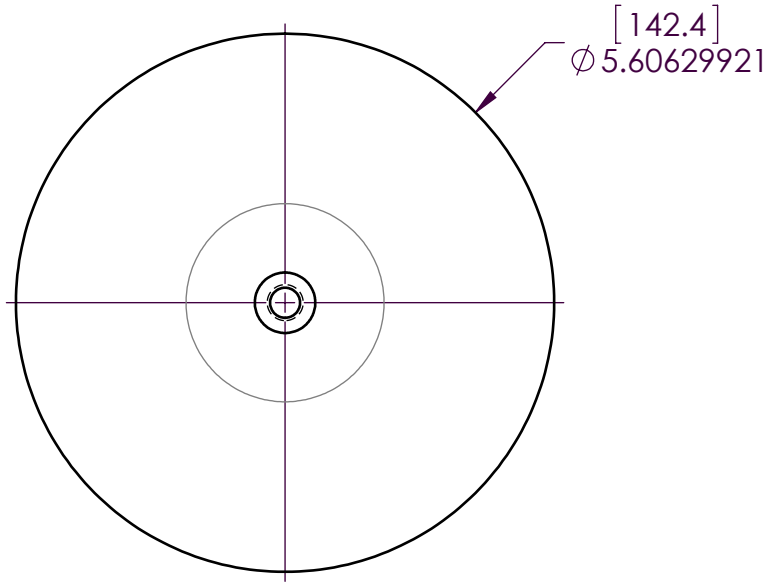
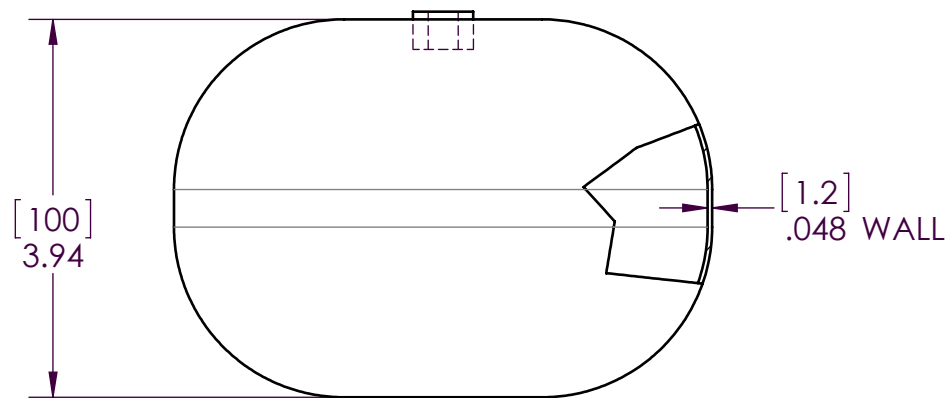
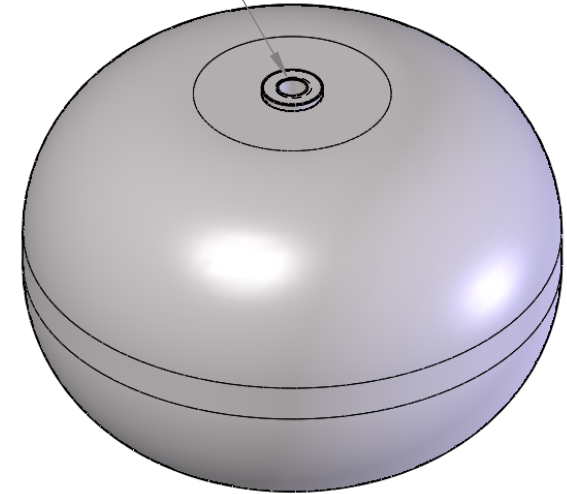


NOTES - (UNLESS OTHERWISE SPECIFIED)

1. ALL DIMENSIONS IN INCHES [mm].
2. DIMENSIONING AND TOLERANCING PER ASME Y14.5M.



Ø .31[7.9] THRU
3/8-16 UNC THRU



Versa-Steel, Inc
Portland, Oregon USA
Ph 503-287-9822
www.stainlessfloats.com

MATERIAL:	316L
FINISH:	NONE, CLEANED AND POLISHED
DO NOT SCALE DRAWING	

PROPRIETARY AND CONFIDENTIAL
THE INFORMATION CONTAINED IN THIS DRAWING IS THE SOLE PROPERTY OF VERSA-STEEL, INC. ANY REPRODUCTION IN PART OR AS A WHOLE WITHOUT THE WRITTEN PERMISSION OF VERSA-STEEL, INC. IS PROHIBITED.

Description:		FLOAT, 5.61 X 3.94, 3/8-16	
VOLUME (CUBIC INCHES):	76.82	WORKING CAPACITY WATER (LBS.):	1.56
SIZE A	WEIGHT (LBS.): 1.22	PART#: 1000858	REV. A