

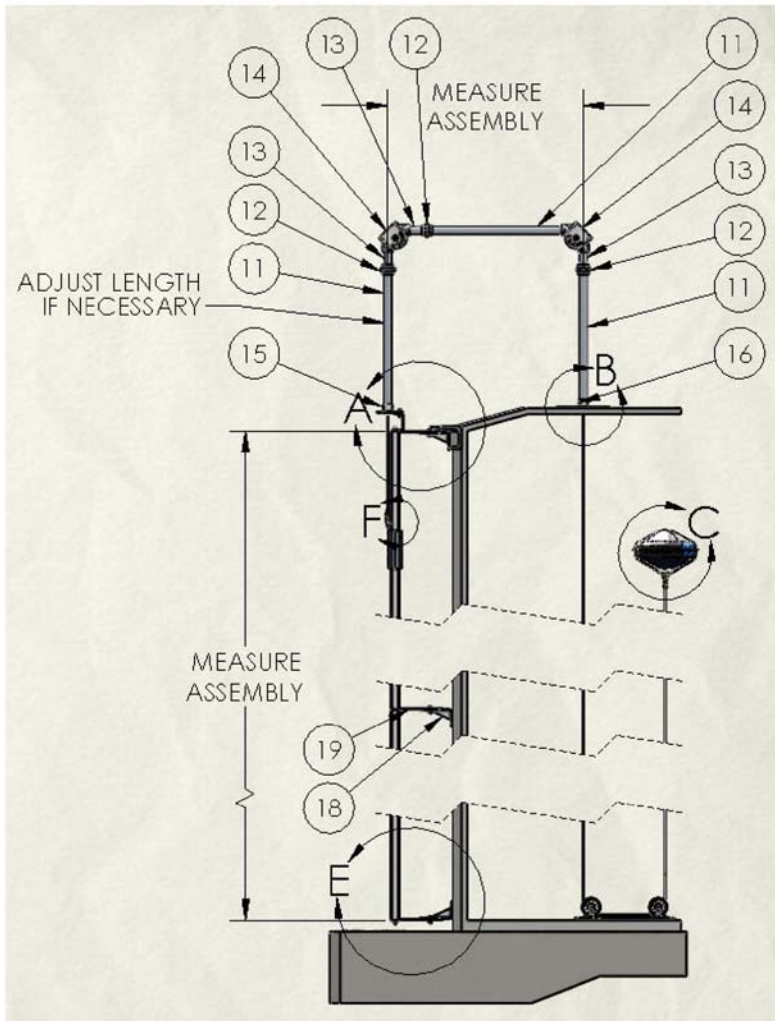


TankIndicator.com

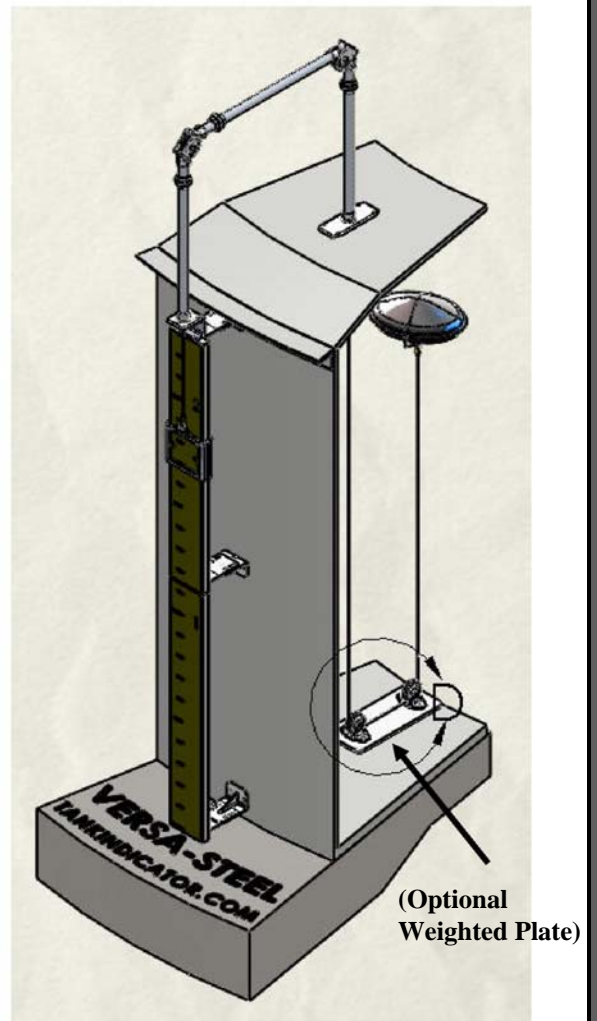
VS-A030

Installation Instructions

Normal installation is without weighted plate. Optional weighted plate is illustrated in Diagram as part #21.



TANK INDICATOR GENERAL ASSEMBLY
FIGURE 1



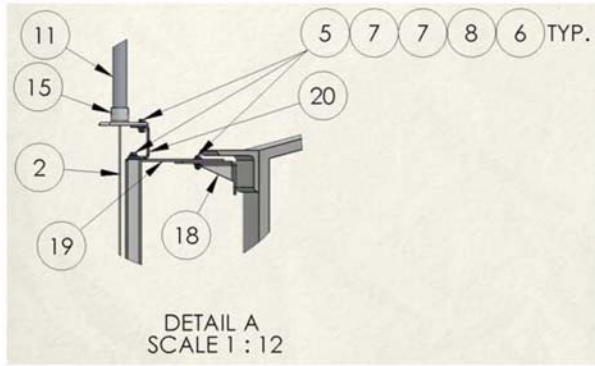
TANK INDICATOR ORTHO VIEW
FIGURE 2

Simple-Reliable-Cost Effective

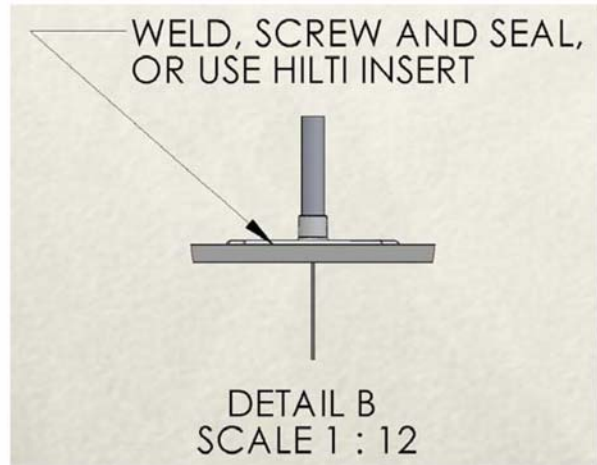


VERSA-STEEL INC.

1618 NE First Avenue, Portland, OR 97232
 Toll Free (800) 678-0814 Phone (503) 287-9822
 Fax (800) 287-7483 www.versasteel.com
 Bernie@versasteel.com



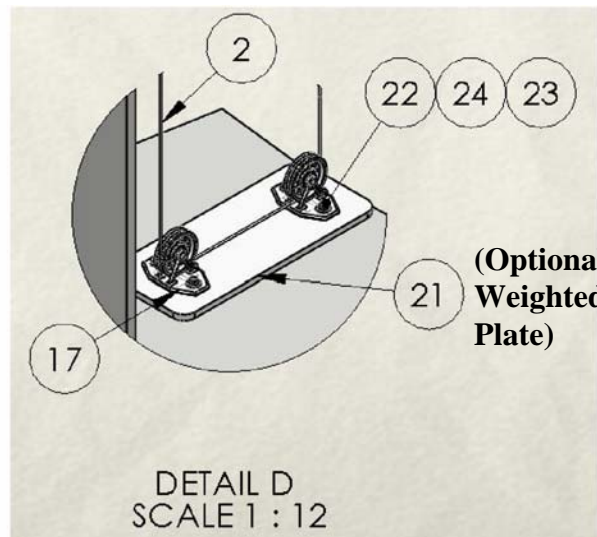
**UPPER TANK ATTACHMENT
FIGURE 3**



**REEVING ASSEMBLY TANK MOUNT
FIGURE 4**



**FLOAT AND SWAGED FITTING
FIGURE 5**



**FLOAT ANCHOR PLATE AND SHEAVES
FIGURE 6**

Simple-Reliable-Cost Effective



VERSA-STEEL INC.

1618 NE First Avenue, Portland, OR 97232
Toll Free (800) 678-0814 Phone (503) 287-9822
Fax (800) 287-7483 www.versasteel.com
Bernie@versasteel.com

NO.	PART NUMBER	DESCRIPTION
1	VS601-72	Float with bridle
2	Wire Rope	1 /8" Wire Rope
3	VS-M309	Wire Guide Stop with hardware
4	VS401-M078	Level Indicator Board
5	Hex Bolt	5/16"-18 X 1" Hex Bolt
6	Hex Nut	5/16"-18 Hex nut
7	Flat Washer	5/16" Flat Washer
8	Lock Washer	5/16" Lock Washer
9	VS401-M098	Level Indicator Scale
10	VS-M304	Target
11	VS401-174	Pipe Nipple, 1 in. Sch. 40 X 24" LG
12	VS401-150	Union
13	VS401-074	Pipe Nipple, 1 in. Sch. 40 X 3" LG
14	VS1-7000019	Sheave Housing Assembly
15	VS-M307	Coupling Bracket
16	VS-M317	Roof Coupling Bracket
17	VS-A339	Sheave Fork Assembly
18	VS-M302	Tank Bracket
19	VS-M303	Mid-Mounting Plate
20	VS-M306	Ruler Bracket
21	VS1-1000407	Weighted Plate (optional)
22	Hex Bolt	Hex Head Cap Screw 3/8-24 UNF X 3/4"
23	Flat Washer	Flat Washer 3/8"
24	Lock Washer	Lock Washer 3/8"
25	VS-M308	Reader Board Foot

VERSA-STEEL TANK INDICATOR – PARTS BOM

Simple-Reliable-Cost Effective



VERSA-STEEL INC.

1618 NE First Avenue, Portland, OR 97232
Toll Free (800) 678-0814 Phone (503) 287-9822
Fax (800) 287-7483 www.versasteel.com
Bernie@versasteel.com

Installation Instructions:

- 1) Measure Reeving Assembly (see figure 1) and set plumb lines for inside cable and outside Gauge Boards (ruler) mounting brackets.
- 2) Assemble Gauge Boards (see figure 1) and mark ruler bracket hole locations and mount Gauge Boards (rulers).
- 3) Remove coupling bracket and pipe from Reeving Assembly and mount bracket to ceiling (roof). Seal pipe in roof hole for water tight connection. Coupling bracket can be mounted with fasteners, or welded. If roof is not steel, HILTI anchors may be required.
- 4) Install Reeving Assembly and string wire rope (indicator cable) thru Reeving Assembly. Temporarily clamp target indicator at zero mark at bottom of gauge board.
- 5) Set float anchor plate on floor of tank so that one sheave is inline with cable and the other sheave is aligned toward the tank center. String wire rope cable to bottom of tank thru sheaves and attach to float just above the sheave.
- 6) Unclamp target indicator and raise and lower the float to check for free motion of indicator and float. The target elevation should match the centerline of the float elevation. Make necessary adjustments and tighten all brackets and hardware.

Note: If tank has fluid in it the Anchor Plate will have to be pre-strung and lowered into the tank.

Simple-Reliable-Cost Effective



VERSA-STEEL INC.

1618 NE First Avenue, Portland, OR 97232
Toll Free (800) 678-0814 Phone (503) 287-9822
Fax (800) 287-7483 www.versasteel.com
Bernie@versasteel.com